

2MP Fixed Dome Network Camera

IPC3612ER3-PF28 (40)-C



Key Features

Optics

- Day/night functionality
- Optical glass window with higher light transmittance
- IR anti-reflection window to increase the infrared transmittance
- Smart IR, up to 30 m (98 ft) IR distance
- 2D/3D DNR (Digital Noise Reduction)

Compression

- Ultra 265, H.265, H.264, MJPEG
- Embedded smart algorithm
- Triple streams
- 9:16 corridor mode

Network

- ONVIF Conformance

Structure

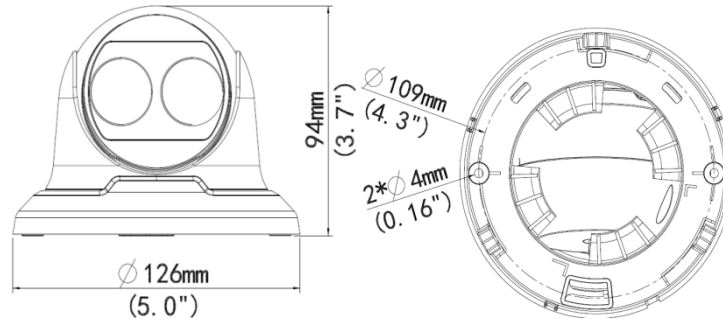
- Wide temperature range: -35°C to 60°C (-31°F to 140°F)
- Wide voltage range of $\pm 25\%$
- 4 KV surge protection designed for network interface
- IP67

Specifications

	IPC3612ER3-PF28-C	IPC3612ER3-PF40-C
Camera		
Sensor	1/2.7", progressive scan, 2.0 megapixel, progressive scan, CMOS	
Lens	2.8mm@F1.8	4.0mm@F1.8
Angle of view(H)	109.9°	84.8°
Shutter	Auto/Manual, 1/6~1/100000 s	
Minimum Illumination	Colour: 0.02 Lux (F1.8, AGC ON) 0 Lux with IR	
Day/Night	IR-cut filter with auto switch (ICR)	
Digital noise reduction	2D/3D DNR	
S/N	>52dB	
IR Range	Up to 30m (98 ft) IR range	
Defog	Digital Defog	
WDR	DWDR	
Video		
Video Compression	Ultra 265, H.265, H.264, MJPEG	
H.264 code profile	Baseline profile, Main Profile, High Profile	
Frame Rate	Main Stream: 2MP (1920×1080): Max. 30 fps; Sub Stream: 2MP (1920×1080): Max. 30 fps; Third Stream: D1 (720×576): Max. 30 fps	
HLC	Supported	
BLC	Supported	
9:16 Corridor Mode	Supported	
OSD	Up to 8 OSDs	
Privacy Mask	Up to 8 areas	
ROI	Up to 8 areas	
Motion Detection	Up to 4 areas	
Smart		
Behavior Detection	Intrusion, cross line, motion detection	
Intelligent Identification	Face detection, Defocus, Scene Change	
Statistical Analysis	People counting	
General Function	Watermark, IP Address Filtering, Tampering Alarm, Access Policy, ARP Protection, RTSP Authentication, User Authentication	
Network		
Protocols	IPv4, IGMP, ICMP, ARP, TCP, UDP, DHCP, PPPoE, RTP, RTSP, RTCP, DNS, DDNS, NTP, FTP, UPnP, HTTP, HTTPS, SMTP, 802.1x	
Compatible Integration	ONVIF(Profile S), API	
Interface		
Network	1 RJ45 10M/100M Base-TX Ethernet	
General		
Power	12 V DC±25%, PoE (IEEE802.3 af)	
	Power consumption: Max 5.5W	
Dimensions (Ø x H)	Ø126 x 94 mm (Ø5.0" x 3.7")	
Weight	0.33 kg (0.73lb)	

Working Environment	-35°C ~ +60°C (-31°F ~ 140°F), Humidity:10%~95% RH(non-condensing)
Ingress Protection	IP67

Dimensions



Accessories

Installation mode	Accessories	Description
Ceiling mount	Mounting pedestal is included in the product package	TR-JB03-C-IN junction box and TR-A01-IN waterproof joint for the junction is optional
Wall mount	TR-WM03-A-IN	For indoor wall installation, excluding junction box
	TR-JB07/WM03-A-IN (Or WM03-B-IN)	For outdoor wall installation, including junction box TR-A01-IN waterproof joint for the junction is optional
Pole mount	TR-WM03-A-IN +TR-UP06-IN	For indoor wall installation, excluding junction box
	TR-JB07/WM03-A-IN (Or WM03-B-IN)+TR-UP06-IN	For outdoor wall installation, including junction box

Zhejiang Uniview Technologies Co., Ltd.

South Tower, Building 10, Wanlun Science Park, 88 Jiangling Road, Hangzhou, P.R.China 310051

Email: overseasbusiness@uniview.com; globalsupport@uniview.com

<http://www.uniview.com>

©2016-2017 Zhejiang Uniview Technologies Co., Ltd. All rights reserved.

*Product specifications and availability are subject to change without notice.